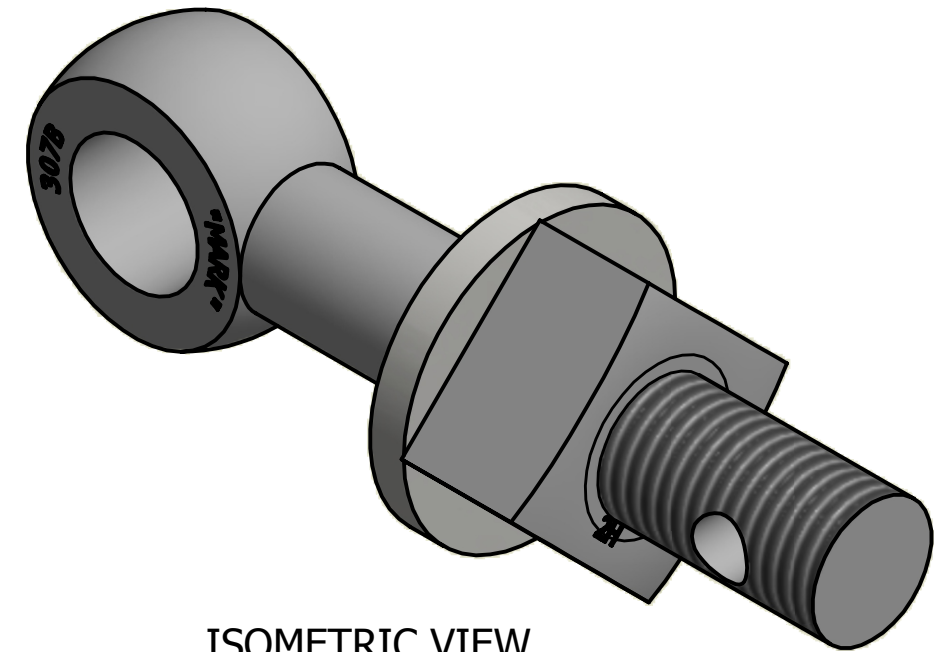
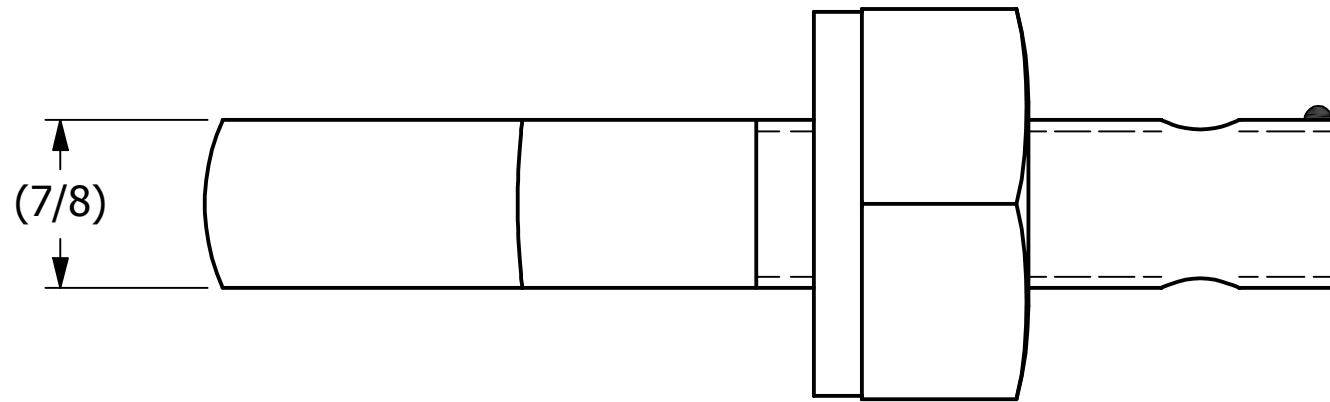
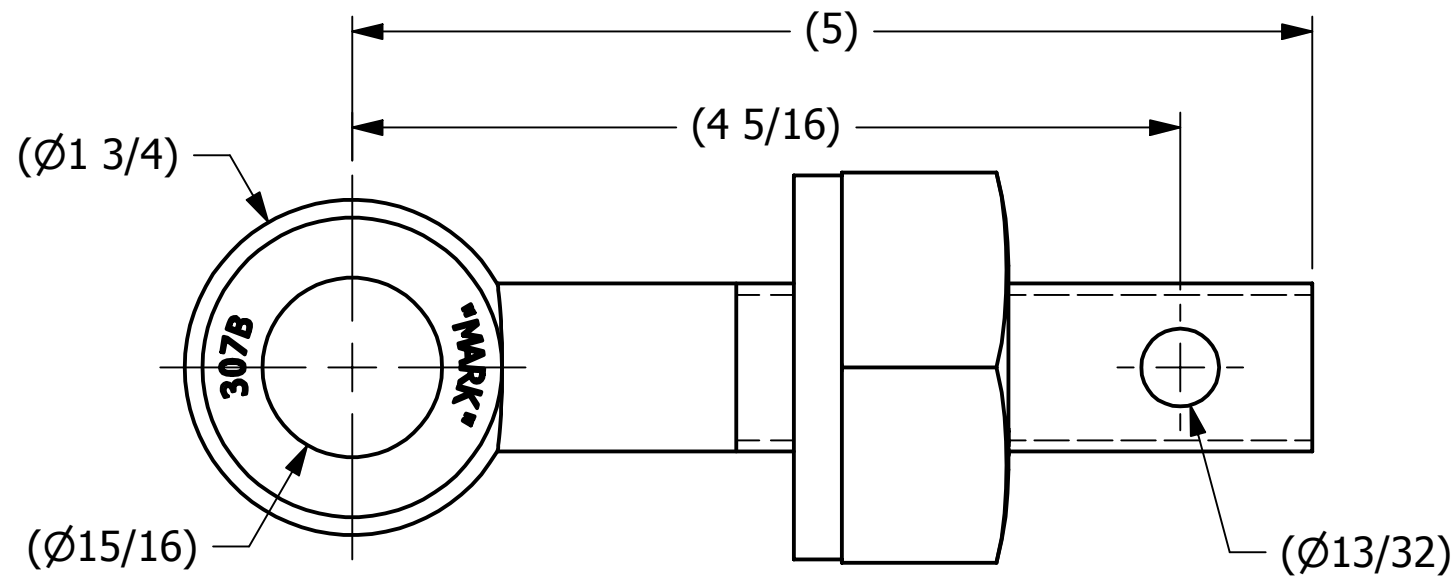


SALES DRAWING

SALES DRAWING



ISOMETRIC VIEW



REV	BY	DATE	DESCRIPTION
D	JJK	4-16-14	UPDATED EYEBOLT OD
C	CHL	6-10-02	CHANGED MATERIAL WASH78T WAS CS Z/P
B	FOD	8-5-99	UPDATED BOM, ITEM #1 WAS EB785H
A	FOD	5-27-99	UPDATED DWG & ADDED NEW TITLE BLOCK

<small>UNLESS OTHERWISE SPECIFIED DIMENSIONAL TOLERANCES</small> FRACTIONAL: ±1/16 X.XX: ±.03 X.XXX: ±.015 ANGULAR: ±1° <small>DEBURR ALL SHARP EDGES. ALL MACHINED SURFACES TO HAVE A 125 RMS FINISH UNLESS NOTED OTHERWISE.</small> <small>THIRD ANGLE PROJECTION</small>	DRAWN BY:	TJN
	CHECKED BY:	
	PROTOTYPE BY:	TJN
	PROTOTYPE DATE:	12/30/1993
	APPROVED FOR PRODUCTION BY:	TJN
	PRODUCTION DATE:	12/30/1999

<b>SALCO PRODUCTS, INC.</b>		
PART NAME: <b>EYEBOLT ASSEMBLY 7/8"X5"</b>		
MATERIAL: <b>CARBON STEEL</b>		
PROJECT #:	SHEET #: <b>1 OF 1</b>	SCALE: <b>1:1</b>
DRAWING #: <b>B5585</b>	PART #: <b>EB785HA</b>	

THIS PRINT, PROPERTY OF SALCO PRODUCTS INC., CONTAINS PROPRIETARY INFORMATION AND MUST NOT BE COPIED, REPRODUCED, OR USED DETRIMENTALLY TO OUR INTEREST.